

# GIGABIT TRANSFORMERS

FOR DUAL PORT MAGNETIC MODULE

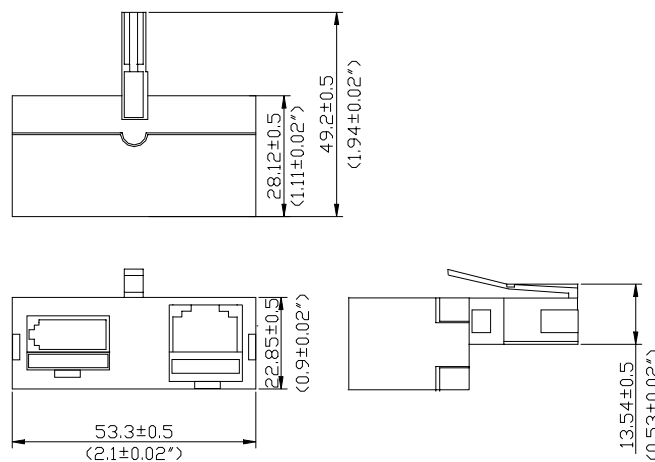


- DESIGNED FOR ADSL CPE SIDE
- COMPLIANT WITH ANSI T1.413, ITU-T G.992.2
- Operating Temperature 0°C to 70°C

Electrical Specifications @25°C					
Parameter	Condition	Min	TYP	Max	Units
Attenuation (- __dB)	25KHZ	18			dB
Attenuation (- __dB)	50KHZ	30			dB
Attenuation (- __dB)	100KHZ	40			dB
Insertion loss distortion (- __dB)	0.2~4KHZ	-1		1	dB
Insertion loss (- __dB)	@1004HZ			1	dB
Longitudinal balance (- __dB)	@0.2~3KHZ	54			dB
DCR	Loop			50	ohm
Return loss (- __dB)	0.3~3.4KHZ	15			dB
Tip & Ring to ground DCR		5			Mohm
DC current carrying capacity				100	mA
Group Delay	0.6~3.2KHZ			200	uS
Group Delay	0.2~4KHZ			250	uS
Off-Hook Impedance (voice band)	0.3~3.4KHZ		600		ohm

## MECHANICAL

LAF0026



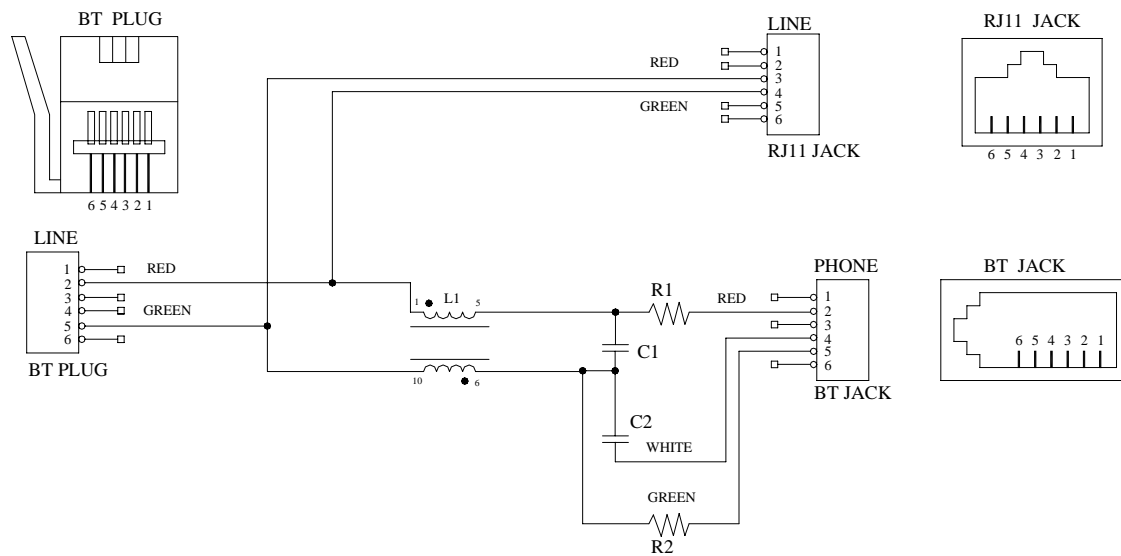
# GIGABIT TRANSFORMERS

## FOR DUAL PORT MAGNETIC MODULE



### SCHEMATICS

LAF0026



Function	Style	Tip	Ring
Line	BT Plug	Pin 4 (GREEN)	Pin 3 (RED)
Line	RJ11 Jack	Pin 3 (RED)	Pin 4 (GREEN)
Phone	BT Jack	Pin 5 (GREEN)	Pin 2 (RED)

[www.linkcom.com.tw](http://www.linkcom.com.tw) For more information, please contact with: [sales@linkcom.com.tw](mailto:sales@linkcom.com.tw)